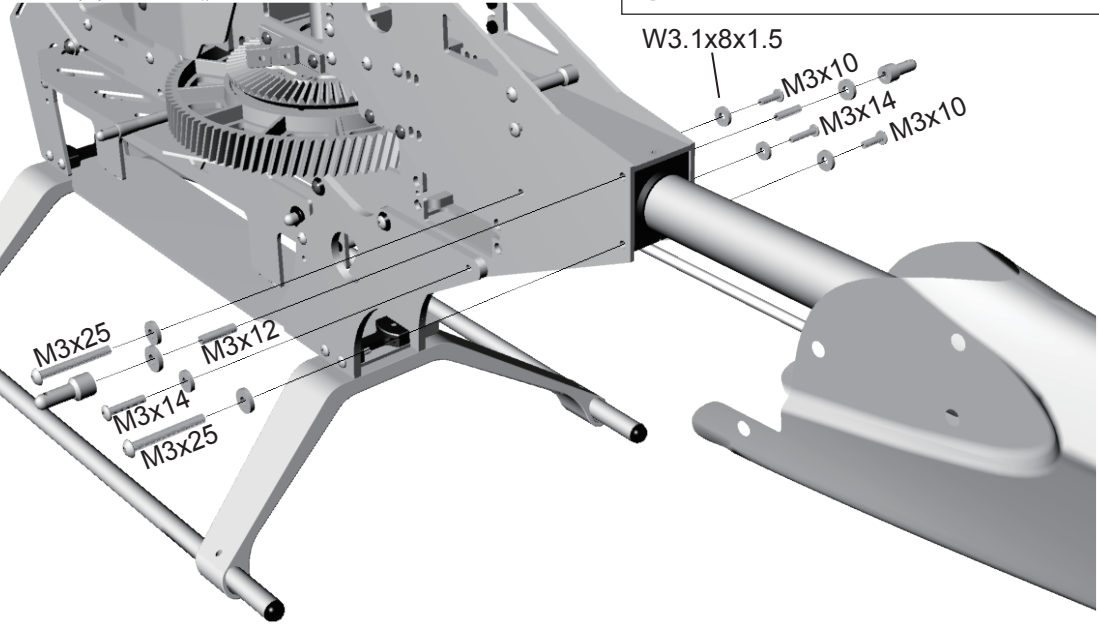


Remove the tail boom support rods & stabilizer, and screw back the frame screws. Assemble the carbon tail boom as the diagram shows.

將支撐桿及水平翼組卸下並鎖回下側板螺絲，再如圖組裝碳纖尾殼。

Apply glue on socket screws about 7mm in length.
上膠固定止付螺絲伸出長度約7mm



Set the sponge between the aluminum tail boom & carbon tail boom, then install the tail gear assembly

將海綿塞入尾管與碳纖尾殼縫隙內並鎖上尾殼組

